



**Commonwealth
Club Travel**

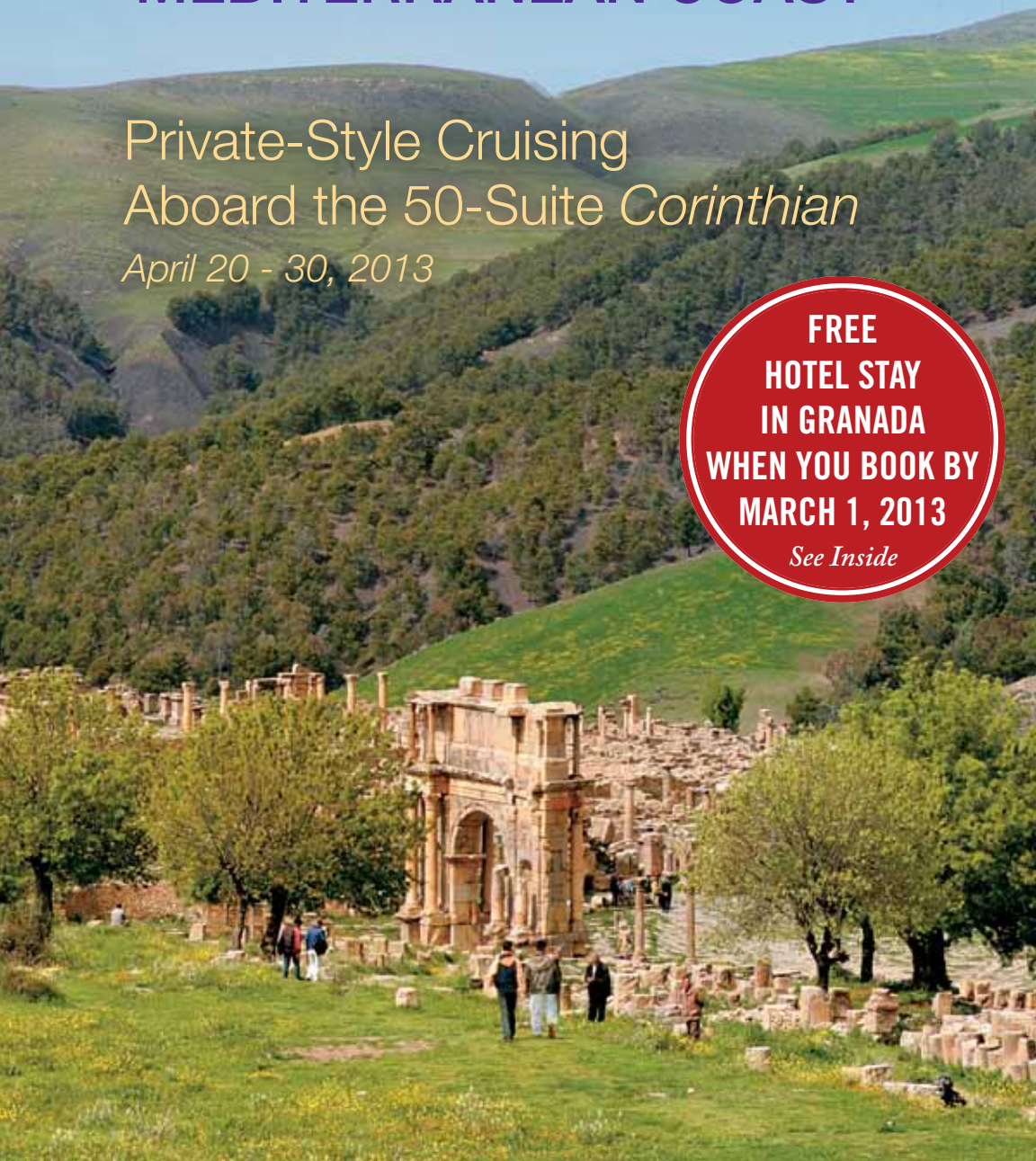
With
Special
Guest Lecturer
**AMBASSADOR
RONALD NEUMANN**

**UNDERSTANDING THE
ARAB SPRING ON A VOYAGE
ALONG NORTH AFRICA'S
MEDITERRANEAN COAST**

Private-Style Cruising
Aboard the 50-Suite *Corinthian*
April 20 - 30, 2013

**FREE
HOTEL STAY
IN GRANADA
WHEN YOU BOOK BY
MARCH 1, 2013**

See Inside





Commonwealth Club Travel

Dear Club Member,

One of the most important political movements of the past 50 years is the group of uprisings in pursuit of greater political freedom that we refer to collectively as “the Arab Spring.” Democracy has gained a foothold in Tunisia, and dramatic changes in leadership have taken place in Libya and Egypt. Where will this combination of frustration with the present and hope for the future lead? What role should the West play in promoting democracy, or managing or containing these forces? What will the region look like a decade from now?

On this voyage from Malaga to Palermo we will pose these questions to a group of seasoned observers of the Middle East as we sail along the coast of North Africa. **Ronald E. Neumann**, Ambassador to Algeria in the mid-1990s and subsequently head of the U.S. North African Economic Initiative for Morocco, Tunisia, and Algeria; **Paul Bracken**, Professor of Management and of Political Science at Yale and consultant to corporations and government; and **E. Roger Owen**, Professor of Middle East History at Harvard University and former Director of the Middle East Centre at St. Antony’s College, Oxford – in lectures, discussions, and informal conversation, these scholars and regional experts will help us understand the changes that are transforming the countries of North Africa and the Middle East and will share with us their recommendations for U.S. and European policy.

While recent history will be our focus, we could not imagine visiting these countries without exploring the remains of their superb ancient sites, which are among the most magnificent in the entire Mediterranean region. Experienced archaeologist **Hector Williams** will serve as our guide to these sites.

Other sponsors of this very special voyage include the World Affairs Council of Philadelphia, Harvard Alumni Association, and the Archaeological Institute of America. I hope you will be able to join the Commonwealth Club, and travelers from these like-minded institutions during the warm, sunny days of spring as we discover the mingling of ancient and modern along the coast of North Africa.

Sincerely,



Kristina Nemeth
Director of Club Travel

Travel, Learn & Enrich Your Experience with a Team of Experts



Paul Bracken, Professor of Management and of Political Science at Yale University, has written extensively on global business, international relations, defense, and intelligence. Professor Bracken's lectures will focus on political and social transitions, economic development, and the new power arrangements in North Africa.



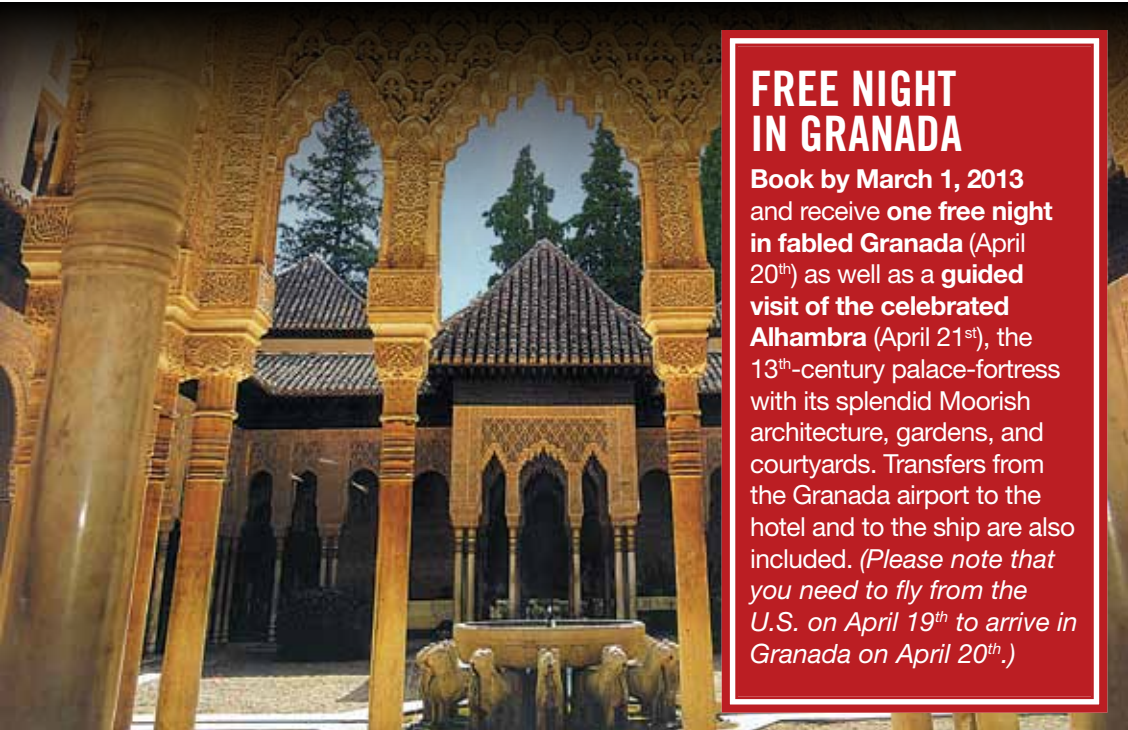
Ambassador Ronald E. Neumann served as a Deputy Assistant Secretary in the Bureau of Near East Affairs (1997-2000), where he was responsible for developing the North African Economic Initiative for Morocco, Tunisia, and Algeria. Before that assignment, he was Ambassador to Algeria (1994 to 1997) and Director of the Office of Northern Gulf Affairs (1991 to 1994).



E. Roger Owen, A. J. Meyer Professor of Middle East History at Harvard University, previously taught Middle East political and economic history at Oxford University. His books include *State, Power and Politics in the Making of the Modern Middle East* and *A History of the Middle East Economies in the Twentieth Century*.



Dr. Hector Williams, lecturer for the Archaeological Institute of America and the American Museum of Natural History, is Professor of Classics and Classical Archaeology at the University of British Columbia, Vancouver. On this program, he plans to discuss such topics as Phoenicians, Greeks, and Romans in North Africa; the Barbary pirates; underwater archaeology off the North African coast; and gladiators in the Roman world.



FREE NIGHT IN GRANADA

Book by March 1, 2013 and receive **one free night in fabled Granada** (April 20th) as well as a **guided visit of the celebrated Alhambra** (April 21st), the 13th-century palace-fortress with its splendid Moorish architecture, gardens, and courtyards. Transfers from the Granada airport to the hotel and to the ship are also included. *(Please note that you need to fly from the U.S. on April 19th to arrive in Granada on April 20th.)*



Exploring the ruins of Tipasa, alongside the Mediterranean Sea



In one of Palermo's outdoor markets

ITINERARY

Saturday, April 20, 2013

FLY FROM USA

Sunday, April 21

MALAGA, Spain | TRANSFER TO CORINTHIAN & EMBARK (D)

Monday, April 22

TANGIER, Morocco

Founded by the Phoenicians in the seventh century B.C., Tangier was subsequently held by the Romans, Vandals, Byzantines, and Visigoths, followed by the Arabs in 709, who used it as the base for their invasion of Spain. Explore the medina, a classic Moroccan town of narrow lanes, dominated by its old citadel, or kasbah. Also visit the Dar el Makhzen, a former sultans' palace-turned-museum of antiquities and crafts, and the Old American Legation, a former palace given to the U.S. government in 1777 to house America's first embassy. (B, L, D)

Tuesday, April 23

GHAZAOUET | TLEMEN | GHAZAOUET, Algeria

Drive to the city of Tlemcen, noted for its cultural and architectural heritage. View the 11th-century Great Mosque and the deconsecrated Sidi Bel Hassan Mosque,



The old city of Constantine on its spectacular location



Hippo Regius, the city of St. Augustine



A folkloric dancer in Algiers

now housing a museum with mosaics, carvings, and pottery. (B, L, D)

Wednesday, April 24

ENJOY LECTURES & THE SHIP'S AMENITIES DURING A DAY AT SEA (B, L, D)

Thursday, April 25

ALGIERS | TIPASA | ALGIERS

Tipasa's ancient temples and ruins overlook the Mediterranean to dramatic effect. Visit the Villa of Frescoes, a Roman mansion; second-century A.D. Judicial Basilica; fourth-century Christian Basilica; the site's museum; and the Tombeau de la Chretienne, burial place of Mauretanian King Juba II and his wife, Cleopatra Selene. Enjoy an afternoon tour of Algiers, Algeria's capital. (B, L, D)

Friday, April 26

BEJAIA | DJEMILA | BEJAIA

Take an excursion through impressive countryside to the well-preserved Roman ruins of Djemila, including the Triumphal Arch to Emperor Caracalla, built in A.D. 216; Grand Baths; and Old Forum, featuring stunning friezes and a third-century altar. Also see the museum's collection of superb mosaics and other artifacts. (B, L, D)

Saturday, April 27

SKIKDA | CONSTANTINE | SKIKDA

From Skikda, drive to Constantine, often called the "City of Bridges," due to the



The evocative cloisters of Monreale

picturesque bridges connecting the mountains among which the city is built. The city, atop a plateau at the edge of a ravine, is home to multiple museums and historical sites, some of which we will visit, including the Palais du Bey, located in Constantine's well-preserved and historic kasbah. (B, L, D)

Sunday, April 28

ANNABA | HIPPO REGIUS | ANNABA

Tour the ancient site of Hippo Regius, which bears the marks of Phoenicians, Romans, Vandals, and Byzantines, among others. Explore the Roman Forum, the largest and oldest in North Africa, and the Baths. Also visit the modern-day Basilica of St. Augustine, which crowns the hill overlooking the site. (B, L, D)

Monday, April 29

AT SEA | PALERMO, Sicily, Italy

After a morning at sea, arrive in Sicily's capital, Palermo, one of the Mediterranean's liveliest and most enchanting cities. Explore the incredible Cappella Palatina, the royal chapel built between 1132 and 1143 and a wonder of Byzantine-Arab-Norman artistry, with dazzling mosaics, an exquisite wooden ceiling, and inlaid marble floors and walls. Alternatively, visit Monreale's Norman cathedral, covered with magnificent mosaics. Return to Palermo and overnight aboard ship. (B, L, D)

Tuesday, April 30

PALERMO | DISEMBARK & TRANSFER TO AIRPORT | FLY TO USA (B)

For reservations or information, please call us at (415) 597-6720



Restaurant



Veranda Suite

Corinthian Sets the Standard for Private-Style Cruising

In an era of mega cruise ships that carry thousands of passengers, *Corinthian* is a delightful alternative. More like a private yacht than a cruise ship, *Corinthian* accommodates only 100 guests in 50 suites. *Corinthian's* limited guest capacity, fine facilities, and distinctive style of operation attract like-minded travelers who return again and again to enjoy its custom-crafted itineraries and a style of cruising that is rarely found today.

All of *Corinthian's* suites face outside, providing views of the sea and landscape. Several have a private balcony. There are expansive open deck areas and attractive facilities, including a gym, spa, library (with Internet access), beauty salon, boutique, two lounges, a sun deck with Jacuzzi, and an outdoor cafe. An elegant restaurant accommodates all guests in an open, unassigned seating. An elevator serves all decks. A resident physician attends a well-equipped infirmary. Wi-Fi is available throughout the ship.

Served by 65 seasoned officers and crew, *Corinthian* complies with the latest international safety regulations, including those of the U.S. Coast Guard, meets the requirements of the Centers for Disease Control and Prevention/U.S. Department of Health and Human Services, and is outfitted with the most current navigational and communications technology. *Corinthian* is equipped with retractable fin stabilizers and a fleet of Zodiac inflatable craft for forays ashore.

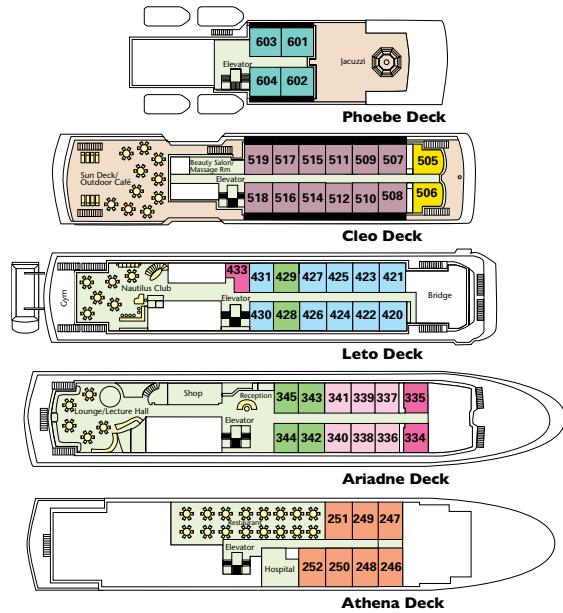
PROGRAM INCLUSIONS

- Cruise aboard the all-suite, 100-guest *Corinthian*
- Complete program of tours and excursions
- Welcome and farewell cocktail receptions aboard ship
- All meals aboard ship, including house wine, beer, and soft drinks with lunch and dinner
- Open bar aboard ship
- Enrichment program of lectures and discussions by accompanying study leaders
- Professional Travel Dynamics International tour staff
- Complete pre-departure materials
- Baggage handling and transfers abroad on the designated program arrival and departure dates
- Port and embarkation taxes
- Gratuities to porters, guides, and drivers

NOT INCLUDED: Airfare; visa and passport fees (if applicable); luggage and trip cancellation insurance; meals, soft drinks, and alcoholic beverages other than those specified above; personal expenses such as laundry, telephone calls, faxes, and e-mail service; and gratuities to shipboard personnel

AIRFARE: Airfare is not included in the Cruise and Land Rates. Approximate round-trip airfare from San Francisco to Malaga, Spain (or to Granada if you are partaking of the free hotel night offer), returning from Palermo, Sicily, is \$1,230. (Airfare is approximate and subject to change.) Please contact your preferred airline, travel agent, or the Travel Dynamics International air desk operated by Valerie Wilson Travel, Inc. (VWTI) for airfare information and to reserve flights. Consultants are available Monday – Friday, 9:00 am – 5:30 pm (EST) toll-free at 1-877-711-9896. Please have your tour code (13203) and dates handy for reference.

DECK PLAN



Category C Suite

FREE NIGHT IN GRANADA

Book by March 1, 2013 and receive one free night in fabled Granada as well as a guided visit of the celebrated Alhambra, the 13th-century palace-fortress with its splendid Moorish architecture, gardens, and courtyards. Airport-hotel transfers are also included.

GENERAL INFORMATION

PAYMENT SCHEDULE: A deposit of \$1,500 per person is required to reserve your space on the tour. For your convenience, you may charge your deposit to your American Express, Visa, Discover, or MasterCard. Final payment is due 60 days prior to departure. Credit cards are not accepted for final payment. However, personal checks are accepted for both deposits and final payment.

CANCELLATIONS & REFUNDS: All cancellations are subject to a \$300 per person fee. Cancellations received 61-90 days prior to departure will be assessed a penalty equal to 50% of the total program cost per person. Cancellations received within 60 days of departure are subject to 100% cancellation penalties.

INSURANCE: We strongly recommend the purchase of trip cancellation insurance.

ITINERARY: The itinerary, accommodations, and arrangements are subject to change at the discretion of Travel Dynamics International.

FUEL SUPPLEMENT: Travel Dynamics International reserves the right to charge a fuel supplement, without prior notice, if the NYMEX oil price exceeds \$85 per barrel. This supplement may be charged even if the cruise fare has been paid in full.

SHIP'S REGISTRY: Malta

CST #204 3599-40 TDI

DUE TO SPACE LIMITATIONS, THIS IS ABBREVIATED INFORMATION. PLEASE CONTACT US FOR COMPLETE TERMS AND CONDITIONS.

CRUISE & LAND RATES | *per person, double occupancy*

All accommodations aboard *Corinthian* are suites. They face outside, affording sea views, and include a bedroom with two twin-size beds that can convert to a queen-size bed, sitting area, mini-refrigerator, safe, spacious closets, climate control, telephone, TV, DVD/CD player, Internet connection, and bathroom with marble vanity, shower, and other amenities. All suites are non-smoking.

CATEGORY	DESCRIPTION	RATE
E	Deluxe suites on Ariadne and Leto Decks with windows and sitting area. 215 sq. ft. Suites *342 - *345,*428,*429	\$7,990
D	Deluxe suites on Ariadne and Leto Decks with window and sitting area. 215 sq. ft. Suites 334 - 335, 433	\$8,890
C	Deluxe suites on Athena Deck with portholes and sitting area. 275 sq. ft. Suites 246 - 252	\$9,790
B	Deluxe suites on Ariadne Deck with windows and sitting area. 225 sq. ft. Suites 336 - 341	\$10,790
A	Deluxe suites on Leto Deck with window and sitting area. 235 sq. ft. Suites 420 - 427, 430 - 431	\$11,690
AA	Deluxe suites on Cleo Deck with forward windows and sitting area. 285 sq. ft. Suites 505 - 506	\$12,690
VS	Deluxe Veranda Suites on Cleo Deck with private balcony and sitting area. 245 sq. ft. Suites 507 - 519	\$13,790
PHS	Deluxe Penthouse Suites on Phoebe Deck with private balcony and sitting area. 260 sq. ft. Suites 601 - 604	\$14,990
VS & PHS suites are provided with private butler service and other exclusive amenities.		

SINGLES: Single accommodations are available in select categories at a supplement to the per person, double occupancy rates. Single rates, per person: Category E: \$9,590; Category C: \$11,750; Category A: \$14,030; Category VS: \$23,445.

REGISTRATION

CMWC 13203B RP

Enclosed is my check or credit card no. for \$_____ (\$1,500 per person) as a deposit to hold _____ place(s) on ***Understanding the Arab Spring on a Voyage Along North Africa's Mediterranean Coast***. I understand that final payment is due sixty (60) days prior to departure and is payable by check only.

Please make check payable to **Travel Dynamics International** and mail or fax with this registration form to:

Commonwealth Club Travel
595 Market St., 2nd Floor
San Francisco, CA 94105
Phone: 415-597-6720 **Fax:** 415-597-6729

AmEx Discover Visa MasterCard
No. _____ Exp. _____

3- or 4-Digit Security Code _____

Please select cabin category in order of preference:

PHS__ VS__ AA__ A__ B__ C__ D__ E__

Twin Beds Double Bed Single Occupancy
 Share (cannot be guaranteed)

DR./MR./MRS./MS. _____ FIRST _____ LAST _____

DR./MR./MRS./MS. _____ FIRST _____ LAST _____

ADDRESS _____

CITY/STATE/ZIP _____

TELEPHONE (DAY) _____ (EVENING) _____

E-MAIL _____

Each participant must sign below: I/We have read the "General Information" section and agree to its terms.

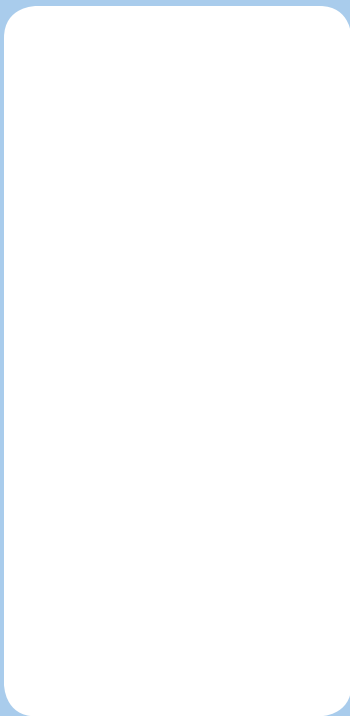
SIGNATURE DATE

SIGNATURE DATE



595 Market St., 2nd Floor
San Francisco, CA 94105

PSRST STD
U.S. Postage
PAID
Hackensack, NJ
Permit No. 291



Understanding the Arab Spring on a
Voyage Along North Africa's
Mediterranean Coast

Private-Style Cruising
Aboard the 50-Suite *Corinthian*

April 20 - 30, 2013

Granada, Spain

**FREE
HOTEL STAY
IN GRANADA
WHEN YOU BOOK BY
MARCH 1, 2013**
See Inside

For reservations or further information, please contact
Commonwealth Club Travel at
(415) 597-6720
or via e-mail at
travel@commonwealthclub.org

CMWC 13203B RP

